



مؤسسة فيصل إبراهيم عثمان للمقاولات العامة
Faisal Ibrahim Othman General Contracting Est.

ARAMCO Vendor ID : 10065665



Faisal Ibrahim Othman Est.
Prince Mohammad Street
RAHMANIA Business Tower
Office No 201- First floor,

Postal Code : 31951
P.O.Box : 2833 - KSA
Tel. : + 966 133 441 565
Web Site : www.fioksa.com
Email : info@fioksa.com



www.fioksa.com

OVERVIEW

Faisal Ibrahim Othman Gen. Cont. Est. is a multifaceted contracting company whose success rests on its highly skilled and dedicated team of professionals. **Faisal Ibrahim Othman Gen. Cont. Est.** is the expertise to carry out various installation and repair jobs. The long year of experience in the field of Piping, electrical civil and in communication made us one of the best choices for the contractors. In addition to carrying out installation of STEEL, PVC, HDPE, RTR, GRP piping system we also do welding and testing's.

We have sound knowledge of various repair works on GRP tanks, manholes and pipes.

The Company actively supports a framework of values underlying its transactions and dealings at all levels and with all stakeholders.

Ethics, Safety, Excellence, Mutual Respect, Sustainability are the core values of our company.

OBJECTIVES

VISION:

our vision is to fulfill our responsibility to our customer's, and to be leaders and pioneers in our field and we are known in the market that we are the best our field.

MISSION:

We are a customer focused company that partners with leading suppliers and transforms performance through Innovation, Quality and Commitment to assist our customers achieve operational excellence and increase profitability

STRATEGIC DIRECTION

To Provide Our Customers Solutions That Streamlines Processes So They Can Focus on Their Core Business

SERVICES

❑ MECHANICAL

- Specialized in installation of HDPE, FRP, PVC, CS,RTR,SS Pipes.

❑ CIVIL

- Trench Excavation, Backfilling, compaction, Fencing, Foundations.

❑ ELECTRICAL

- Cable pulling , Splicing, Testing ,Grounding.

❑ COMMUNICATION

- Fiber, Copper , UTP Cable pulling , Splicing, Testing .

❑ FIRE FIGHTING

- Specialized in installation of Fire hydrants, sprinkler system, cabinets

CLIENTS

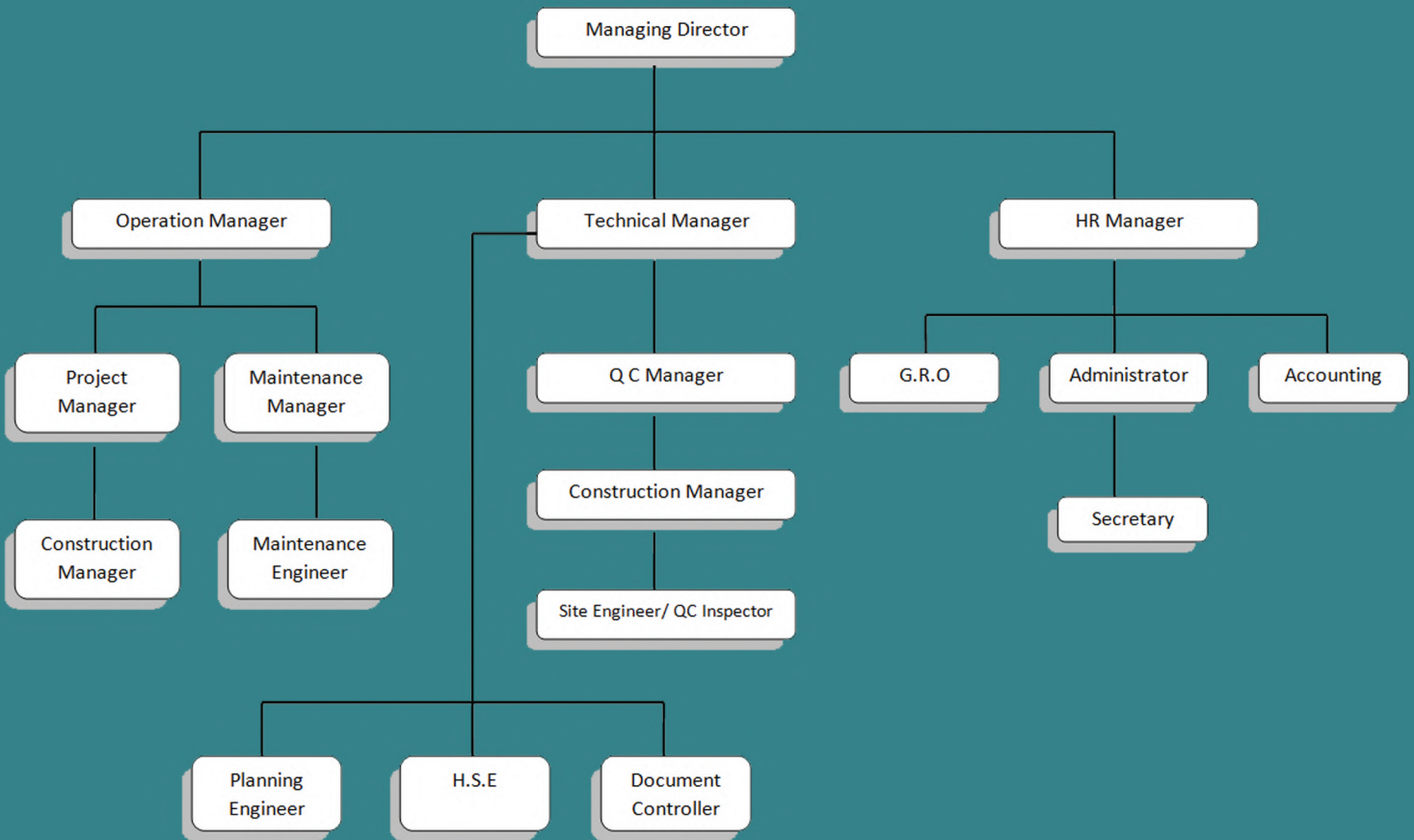
- MAIN CLIENTS



- EPC CONTRACTORS



ORGANISATION CHART



PROJECTS

- 1. Khurais Al Cude increment (Saudi Aramco/ client AGC Arabian Gulf Construction)**
 - UPVC, HDPE, IRTR, Pipes installation (Di a 50 to 500mm), Power Cable pulling, Fiber cable Pulling, termination, splicing.
- 2. Doosan Power Plant. (Flour/ Client Amiantit).**
 - RTR, GRP pipes installation (Di a 100 to 2400mm)
- 3. Petro Kemya Expansion. (Client Tecnicas Reunidas)**
 - RTR pipes & fitting connection (Adhesive, Bull wrap, Flange & Key lock joints. (Dia 50 to 500mm).
- 4. Marafiq Water line. (Client Jomel Company)**
 - GIRP Shutdown project repair and installation Dia 1500x900 mm Tee.
- 5. Jazan Economic city port & infrastructure,SWCC water main diversion line. (Saudi Aramco/ Client Aqua Treat)**
 - Installation of GRE male-female pipeline with single grove without key lock. (Dia300mm)
- 6. Industrial construction and development company (ICDOC)**
 - FRP Pipes and filling site connection, supervision and inspection (Dia 250 & 300 mm Adhesive and Bull & wrap joints)
- 7. FADHILI PK-5 TR Building (Saudi Aramco/ client THABAT)**
 - Medium voltage Cable Pulling of around 1000m in the existing cable tray , with testing.
- 8. ASPHALT / WALKWAYS Work (TASNEE)**
 - Excavation Backfilling,Asphalting and Road Marking etc

MECHANICAL

- **GRP,RTR,HDPE,STEEL PIPES:**
- The success of any GRP, RTR, HPPE, STEEL piping system project depends mainly on how to carry out the installations.
- The installation has to be in compliance with the standards and the guidelines laid by the pipe manufacturer.
- **OUR SERVICES:**
- GRP, pipes installation.
- Butt and strap Joint
- Double Bell coupling joint
- Flange Joint
- HDPE installation aboveground and underground
- Aboveground and underground FRP tanks installations



MECHANICAL

- **OUR SERVICES:**
- **Welding of various type of steel and alloy.**
- **Stress relieving and Non-Destructive Testing**
- **Pressure Testing**
- **Hydro Testing.**
- **Gravity Test**
- **Field Adjustment**
- **Structural-Manholes installation and joints**



CIVIL

FOUNDATIONS:

We Make Foundations for Generators ,Tanks, Equipment's and Mounting Pads for Transformers etc.



FENCE INSTALLATION:

We install Security Fence, Fence Gates for ARAMCO and SABIC Projects etc.



BOLLARDS INSTALLATION:

We install Bollards as safety barrier for Electrical Facilities , Mechanical Facilities , Communication Facilities.



ASPHALTS/WALKWAYS:

We do ASPHALTS, WALKWAYS work Gates for ARAMCO and SABIC Projects etc.



ASPHALT / WALKWAYS WORK

We do all types of Excavation Backfilling,Asphalting and Road Marking etc



ELECTRICAL

CABLE PULLING:

LV cable, MV cable, HV cable,
Grounding cable pulling as per
standard with wench machines.



UNDER GROUND ACTIVITIES:

Underground trench excavation,
Backfilling with red tiles ,warning
tape etc.



GROUNDING:

Grounding Cable Pulling,
Exothermic Cad Weld, Ground
Rod installation as per standards.



BOLLARD LIGHTS/STREET LIGHTS INSTALLATION:

Installed 1Meters, 3Meters Bollard
lights, 8Meters Street Lights,
Floodlights for field courts in
ARAMCO and SABIC Residential
areas.



ELECTRICAL

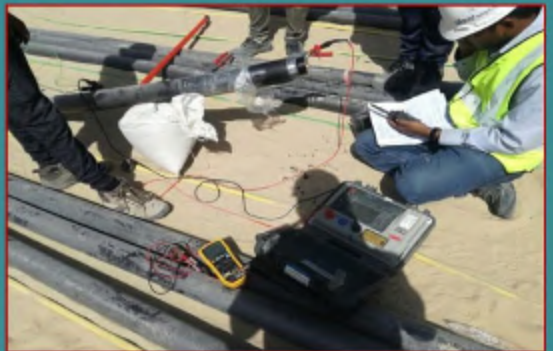
SPLICING:

We have Experience and ARAMCO,SABIC,SEC Approved Splicers to do Splicing of Power Cables



IR TEST AND HI-POT TEST:

Long Years of experience in Conducting Insulation Resistance Test, HI-POT Test with CALLIBRATED equipment's and Approved SPLICERS.



GROUND RESISTANCE TEST:

We have Experience in Conducting Ground Resistance Test with CALLIBRATED Earth Tester to meet the required value of 5 ohms and less than 1ohms as per standards



COMMUNICATION

OUTDOOR CLOSURE INSTALLATION:

We install underground OPTI-
PED'S, above ground
PEDESTALS etc



INDOOR SPLICE CLOSURE INSTALLATION:

We install SPLICE CLOSURES,
Indoor cable Pulling, Splicing
inside splice closures, Indoor
Fire Rated Tape installation etc.



POWER METER TEST/END TO END TESTING:

Long Years of experience in
Conducting Power Meter Test
with CALLIBRATED equipment's
and Approved SPLICERS to meet
the project Link Loss Budget.



COMMUNICATION

OUTDOOR CLOSURE INSTALLATION:

We install underground OPTI-PED'S, above ground PEDESTALS etc



INDOOR SPLICE CLOSURE INSTALLATION:

We install SPLICE CLOSURES, Indoor cable Pulling, Splicing inside splice closures, Indoor Fire Rated Tape installation etc.



POWER METER TEST/END TO END TESTING:

Long Years of experience in Conducting Power Meter Test with CALLIBRATED equipment's and Approved SPLICERS to meet the project Link Loss Budget.



FIRE FIGHTING

- Automatic Sprinkler System
- Deluge and Pre-Action Systems
- Foam Systems
- CO2 Fire Suppression System
- Fire Department Connection
- Fire Hydrant System
- Wet Type Fire Hydrant
- Dry Barrel Fire Hydrant
- Fire Hose Reel Cabinet





Manpower Resources

- Construction Engineers
- Piping Engineers
- Piping Inspectors
- Piping Supervisors
- Quantity Surveyors
- Civil Engineers
- QA/QC Civil Engineers
- Civil Supervisors/ Forman's
- Civil Surveyor
- Instrumentation Engineers
- Instrument Technicians
- Supervisors/Foreman's
- QA/QC Instrument Engineer
- Instrument Technicians
- Material Engineers
- Document Controllers
- Computer Operators
- System Administrators
- Schedulers
- Project Controllers
- Project Control Programmers
- Financial Controllers
- Heavy Equipment operators
- Designing Engineers
- Planning Engineers
- Erection Engineers
- Technical Secretaries
- Data Entry Clerks
- Administration Asst.
- Administration Clerk
- Contractor Administrator
- Purchase Officer
- Store Keeper
- Electrical Engineers
- QA/QC Electrical Engineers
- Electrical Supervisor
- Electrical Foreman's
- Painting Engineers
- Commissioning Engineers
- Project Superintended
- Safety Engineers / Officers
- Auto Cad Civil/Elect/Mech/
- Skilled and unskilled labors
- Mechanical Fitters
- Scaffolder
- Riggers

Instrumentation

- Calibration
- Loop check
- Installation
- Testing and commissioning
- Electrification in Industrials



Material Supply

Electrical & Instrumentation

TRADING OF ELECTRO MECHANICAL ACCESSORIES
ELECTRO MECHANICALS
INSTRUMENTATION SPARES
CIVIL CONSTRUCTION MATERIALS
SAFETY EQUIPMENTS & GEAR
INDUSTRIAL TOOLS & EQUIPMENTS

- Conduits (EMT, Ridgid, PVC Coated, PVC)
- Cable Trays (Ladder, Perforated with sizes and types)
- Transformers, Panel Boards & Circuit breakers
- Electrical Cables (All sizes and all type)
- Glands, Lugs, Nut& Bolts (All consumables related Electrical)
- High Bay / Medium Bay Integral Hid Lamp Luminaries
- Low bay Integral Hid Lamp Luminaries
- Integral Well Glass Luminaries
- Non-Integral Well Glass Luminaries
- Bulkhead Luminaries
- Hazardous Area Equipments
- Commercial & Industrial lightings
- Portable Generators
- Exit & Emergency lights
- UPS System
- Safety & Protection Equipments
- Fuses, Wire Connectors & Lubricants
- DC System, Batteries & Battery Chargers
- All types of Test meters
- Instrument Calibration tools with all accessories
- Instrument Cable (All sizes and types)
- All consumable related Instrumentation



Heavy Equipment

We have owns and operate a fleet of heavy equipment which is provided directly under our client's control on hourly, daily, weekly and monthly rate basis.

Our equipment rental division provide equipment rental services through a network team and with its fleet of more than 100 equipment such as welding machines, generators, automobiles, fork lifts, earth moving equipment, cranes, crawler cranes, boom trucks, dump trucks, loaders, excavators, side booms, air compressors, tower lights, welding machines and dewatering pumps etc.

On top of it, Core Team's supervisory staffs are well experienced and stringently comply with all modern industrial technical standards and safety regulations.

List of Equipment

- Cranes (25 - 500 Tons)
- Forklift (3 - 15 Tons)
- Trailer - Flat Bed & Low Bed
- Boom Truck, drum Truck & Dyna Truck (3 - 20 Tons)
- Bus (15, 30, 55 Seater)
- Pick-Up (single & Double Cabins)
- Backhoe Loader & Skid Loader
- Excavators & Loaders
- Man Lifts - Articulated & Telescopic (15 - 38 Mtrs)
- Air Compressors (190 - 1500 CFM)
- Welding Machines (400, 500, 600 AMPS)
- Tower Light (4000 Watt)
- Generators (30 - 1000 KVA)
- Dewatering Pumps
- Water Tanker
- Diesel Tanker
- Loader
- Skid Steer Loader Roller

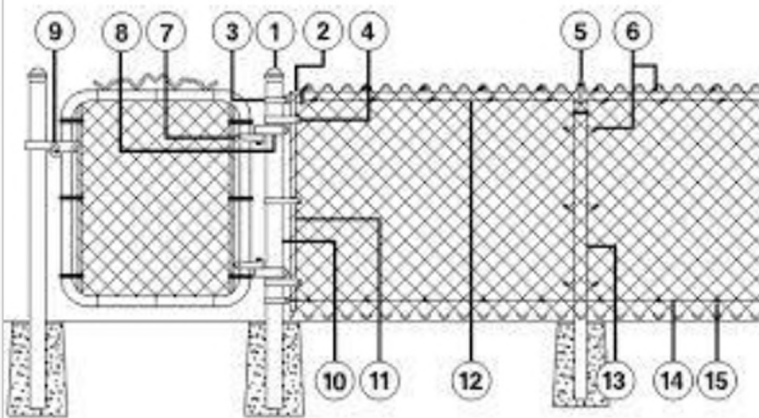


CIVIL CONTRSRUCTION

We provide installation and design specification service to: Commercial / Industrial - Contractors - Architects / Engineers - Schools - Public Works - Municipalities - City / Government Organizations - Etc..



Fence With Concrete Barrier



We provides installation of fences and gates to a wide variety of commercial companies. Whether your needs are for athletic, security, decoration, construction or utility, we undertake with time bound commitment.

We provide installation and design specification service to: Commercial / Industrial - Contractors - Architects / Engineers - Schools - Public Works - Municipalities - City / Government Organizations - Etc..

CIVIL CONSTRUCTION



We are doing all civil and industrial construction works. Construction of multi storeyed commercial and residential buildings. Construction works as per international standards / specifications and customer requirements.

MECHANICAL CONSTRUCTION

We are doing installation of petrochemical process plant and equipment meeting ASTM/API standards, condition / vibration monitoring of rotating equipment, fabrication of process piping system up to 32" dia, bulk storage tanks as per API 650A, vessels, furnace, grit blasting, & painting, pressure testing & commissioning of process plant, installation of fire fighting systems, erection of pre engineered buildings, space frame structure etc



LONG TERM SERVICES

- ▶ Plant maintenance and support services
- ▶ Provide maintenance engineers, planning engineers, rotating equipment engineers, high skilled technicians and operators to execute routine maintenance activities in live operational plants
- ▶ Plant construction support services
- ▶ All categories from senior to junior grade can be provided to all international and local EPC, management contractors and other local contractors.

Safety

SAFETY & SECURITY PROGRAM

Faisal Ibrahim Othman Gen. Cont. Est. is always committed to look after all necessary measures for the safety, Health and Welfare of our workers.

We believe that by integrating our risk and safety management and assessment systems.

We developed a culture where employees, suppliers, customers and public understand that health and safety is our core concern.

Safety always plays a key role in any civil construction work.

All operational staff is provided with our standard full personal protective equipment.

Safety and Security is the main integral part of our daily work activity.

Every employee of the **Faisal Ibrahim Othman Gen. Cont. Est.** will make sincere efforts to minimize the risk of accident.

Faisal Ibrahim Othman Gen. Cont. Est. and its employees strive to achieve our customer goals.

Faisal Ibrahim Othman Gen. Cont. Est. set targets to achieve zero safety incidents.

All operational staff is provided with our standard full personal protective equipment this is supplemented where appropriate to meet any bespoke specific requirements of our customers. Additionally tools and equipment are regularly updated and calibrated in line with ISO quality procedures.





مؤسسة فيصل إبراهيم عثمان للمقاولات العامة
Faisal Ibrahim Othman Gen. Cont. Est.

Address

Prince Mohammed street, Al Rahmania Business tower.
1st Floor Office 201, Jubail - 31951 P.O.Box 2833
Kingdom of Saudi Arabia

Tel: 966 - 133441565 / 583340654 / 552123284

Email : info@fioksa.com

www.fioksa.com